

Walkway Slip Resistance

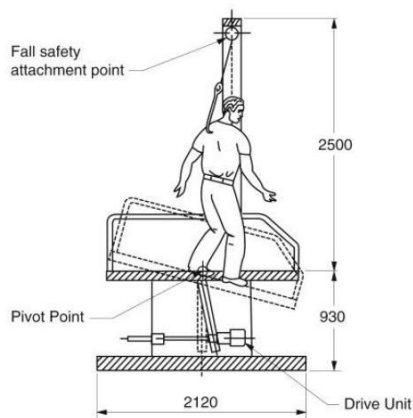
Webforge Locker has tested the following popular walkway products in accordance with the latest Aust /NZ Standard:4586.

The following results relate to the separate testing methods;

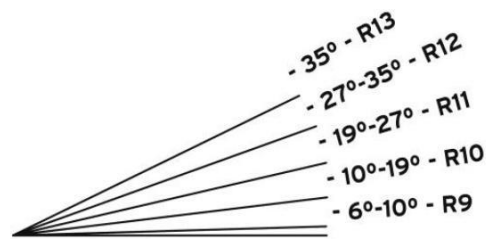
- Wet pendulum
- Oil wet ramp

The purpose of these two test is to judge slip resistance.

Oil Wet Ramp Test



Oil-Wet ramp test



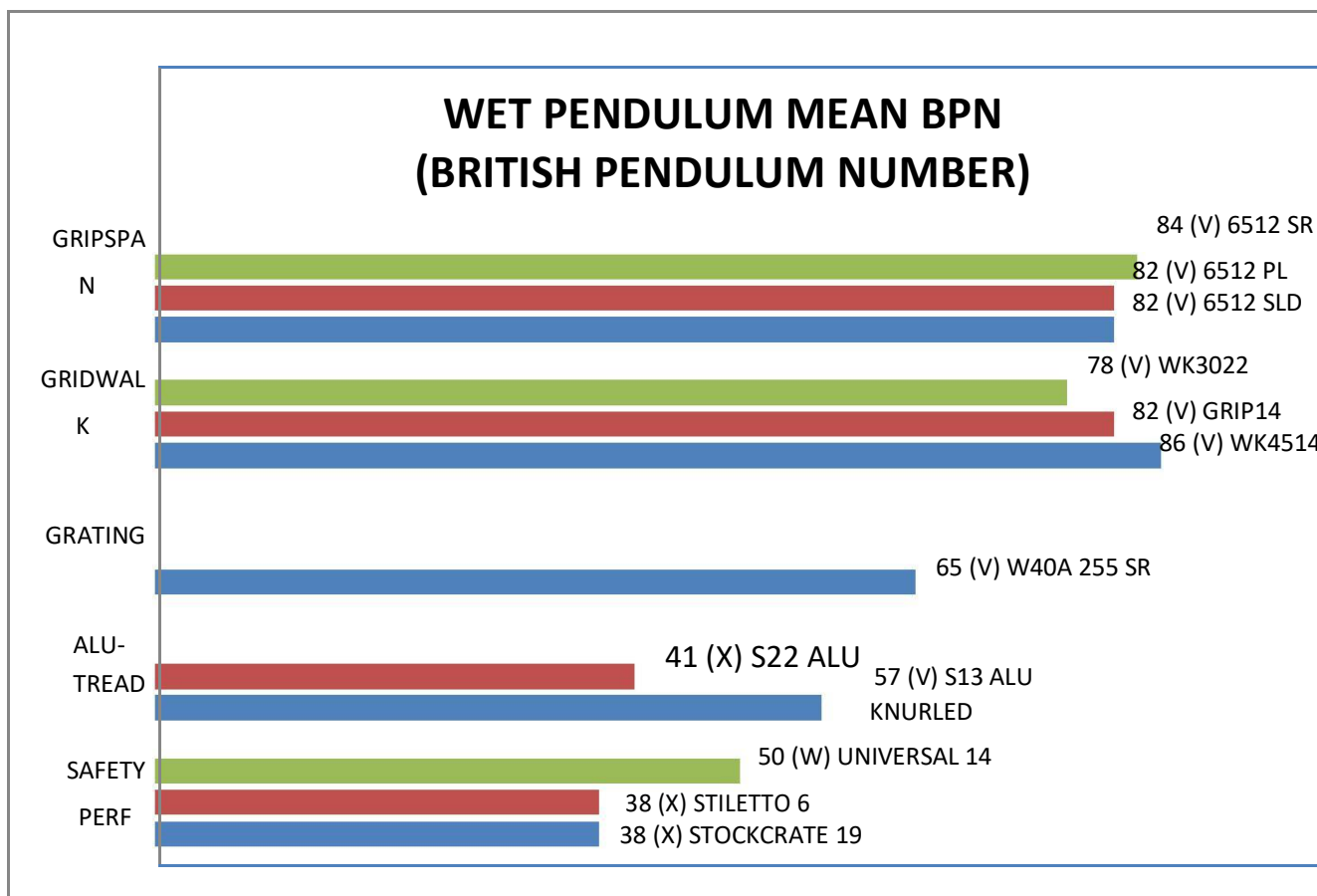
R Classification Guide

Product	Mean overall Acceptance Angle	Slip Resistance Assessment Group
Gripspan:		
6512G/225-SLD	36.5	R13
6512G/225-SR	40.0	R13
6512G/225-PL	39.6	R13
Gridwalk		
WK4514	37.2	R13
WK3022	39.4	R13
GRIP14	38.9	R13
Gridforge Grating		
W40A-255-SR	29.7	R12
Alutread		
ALU-TREAD-S13 KNURLED TREAD	29.0	R12
ALU-TREAD-S22 NON KNURLED TREAD	21.3	R11
Safe T Perf		
UNIVERSAL 14 SAFETY PERF	37.4	R13
STILETTO 6 SAFETY PERF	35.4	R13
STOCKCRATE 19 SAFETY PERF	27.3	R12

Products rated in the R13 assessment group offer superior slip resistance.

Mean overall acceptance angle refers to the maximum angle achieved while still providing suitable slip resistance.

The wet pendulum test seeks to assess the friction characteristics of each profile, by determining the wet dynamic friction between the tested profile and the slider of a pendulum.



Therefore, products that achieved a higher BPN provide greater slip resistance, i.e. the surface has minimal contribution to the risk of slipping when wet.

Pendulum Mean BPN	AS/NZS 4586 Classification	AS/NZS 4586 Contribution of the floor surface to the risk of slipping when wet
Four S Slider		
>54	V	Very Low
45-54	W	Low
35-44	X	Moderate
25-34	Y	High
<25	Z	Very High
Classification examples		
V = external ramps / ramp and stairs leading into water		
W = swimming pool surrounds and communal wet areas		
X =undercover concourse areas / shop and office wet areas		