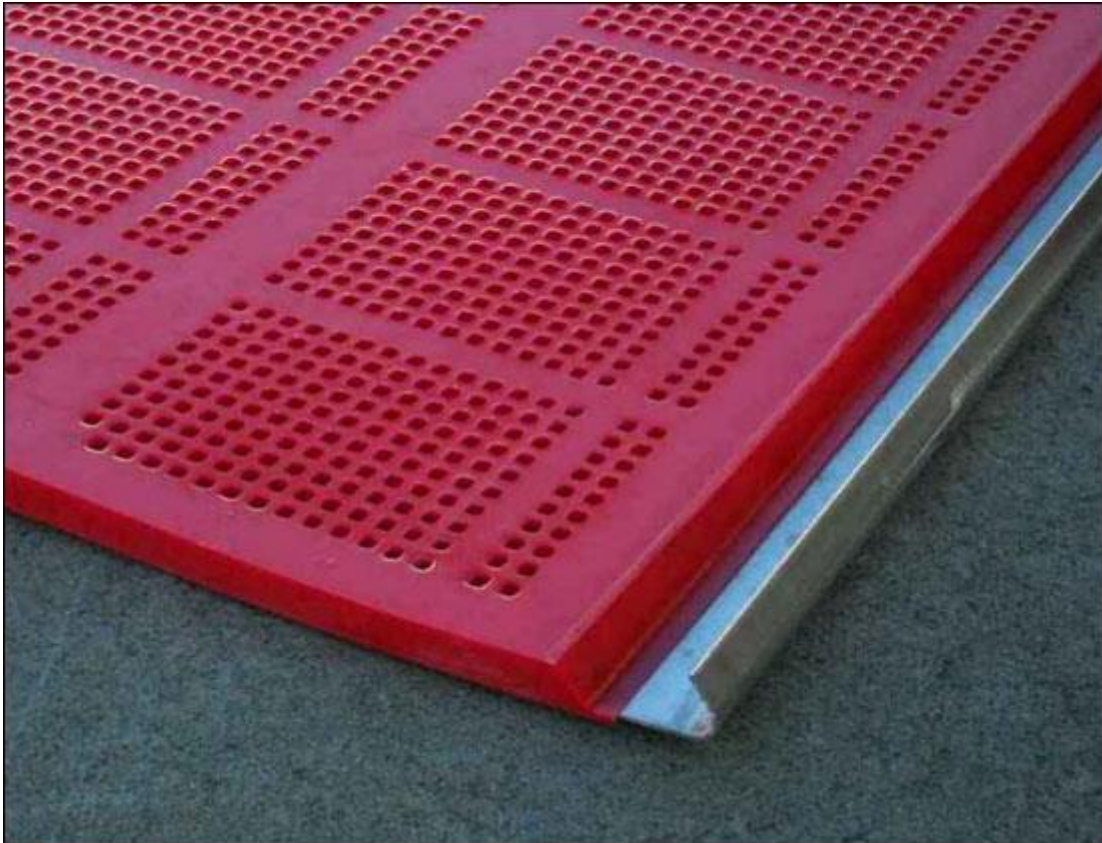


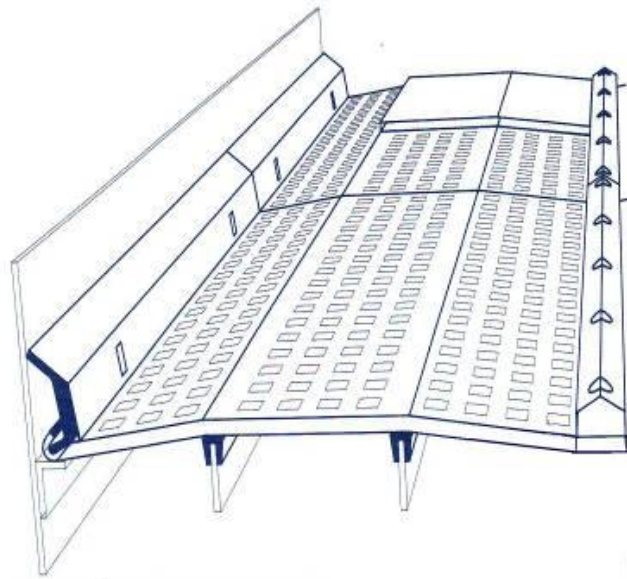
Polyurethane Cross Tensioned Screencloth

At Webforge Lockerwe will design and manufacture to suit your requirements. Our Polyurethane Cross Tensioned Screencloths are produced in several types to suit most applications.

- Fully Cast
- Injection Moulded Element
- Slimline Injection Moulded Element



FULLY CAST



The following table will outline the features of the *Fully Cast* screencloth as well as specifying the relevant technical information.

Features

Apertures

- Slotted
- Square

Thickness

20mm, 25mm

Custom Design

- Weirs
- Impact Areas
- Rider Bars
- Deflectors
- Aperture change in the same cloth

Hooks

- Stainless steel

Reinforcing

Custom Design

Light weight

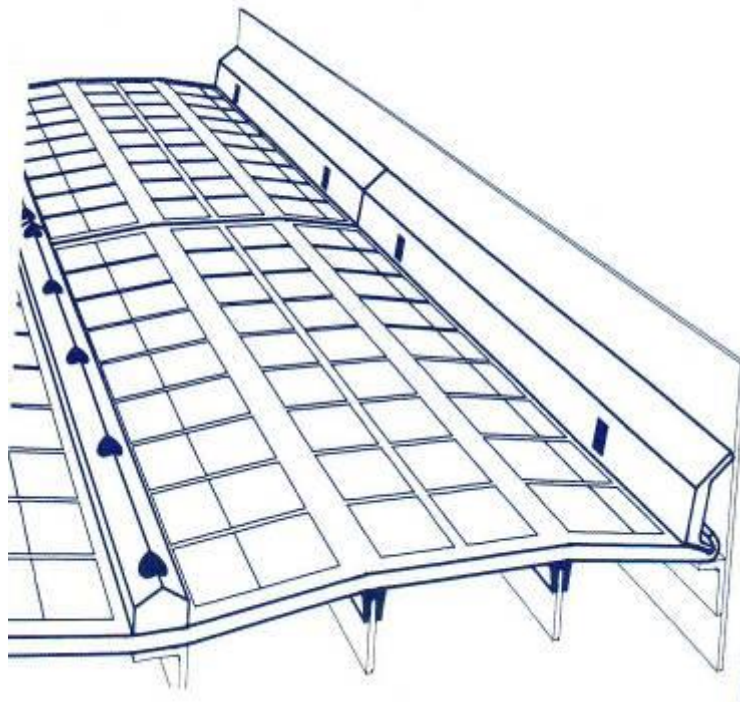
Medium weight

Heavy Duty

Cost Effective

Dollars/Tonnes

INJECTION MOULDED ELEMENT



The following table will outline the features of the *Injection Moulded Element* screencloth as well as specifying the relevant technical information.

Features

Accurate Screening & Sizing

Injected Moulded Type Apertures
Slotted Apertures available

Thickness
20mm, 25mm

Different Aperture Sizes Available:

- Tear drop
- Extra-long slot
- Split
- Round & Vibra Flex
- Apertures

Custom Design

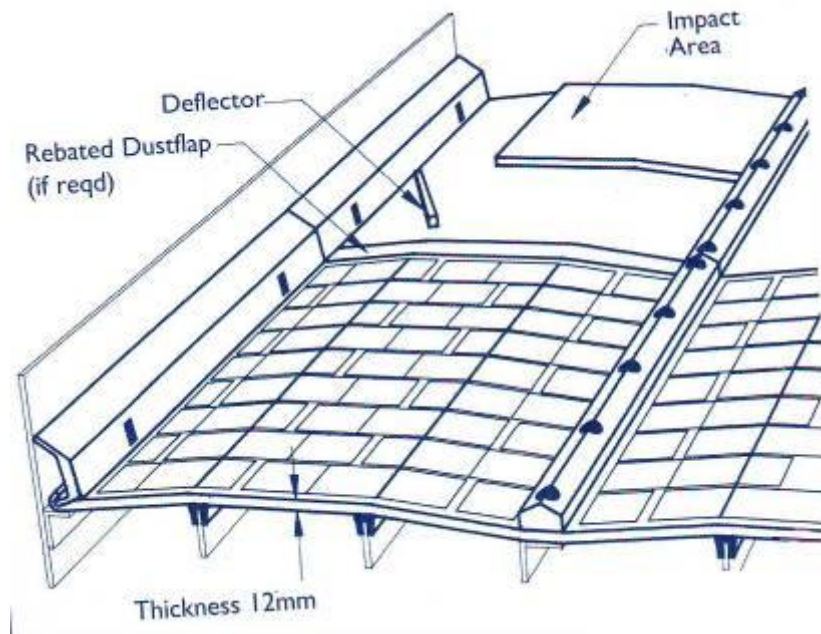
- Aperture change in the same cloth
- Deflectors
- Weirs
- Impact areas
- Rider bars
- Staggered apertures to prevent tracking

Reinforcing

Durability in Service

- Proven product

SLIMLINE INJECTION MOULDED ELEMENT



The following table will outline the features of the *Slimline injection moulded element* screencloth as well as specifying the relevant technical information.

Features

High Open Area
<ul style="list-style-type: none"> • Conventional Layout • Brick Pattern Layout • High Throughput

Flexibility

Thickness
12mm thick

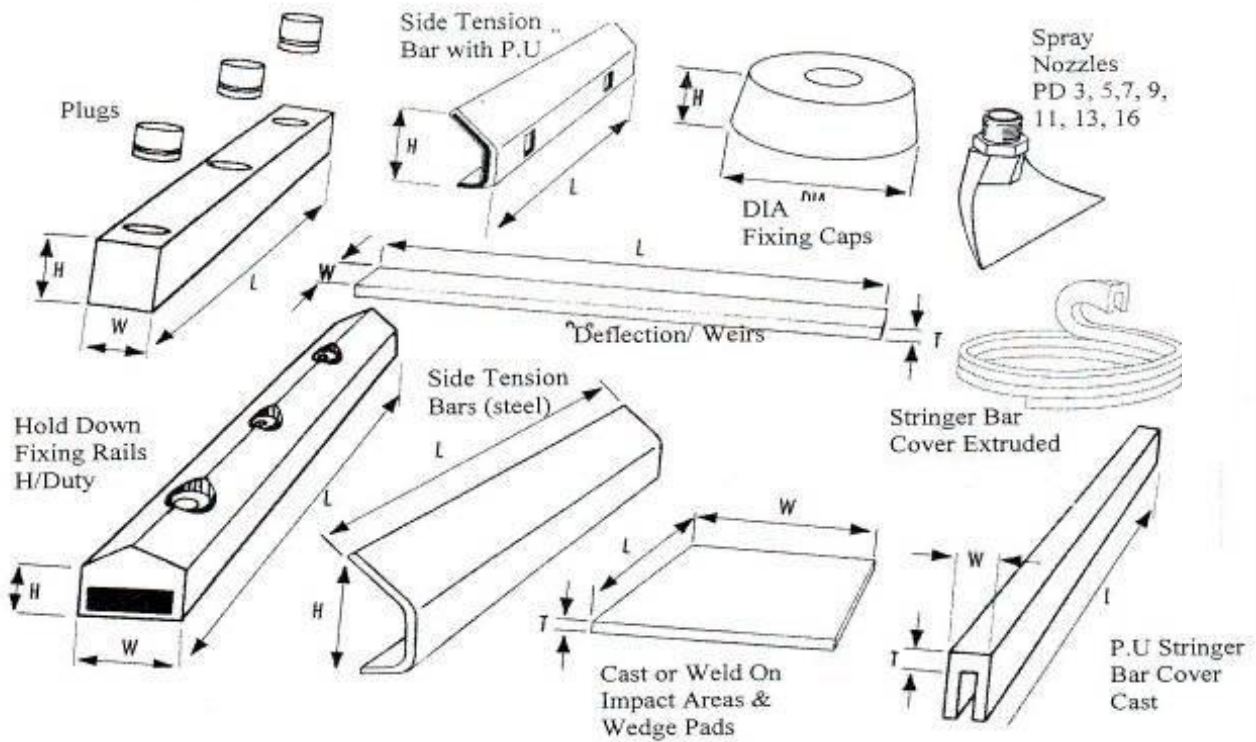
Hooks
<ul style="list-style-type: none"> • Stainless steel

Reinforcing

Specific Slimline Slotted Apertures
0.63 x 11.5 S/L
0.80 x 11.5 S/L
0.80 x 17.5 S/L
1.0 x 11.5 S/L
1.8 x 17.25 S/L

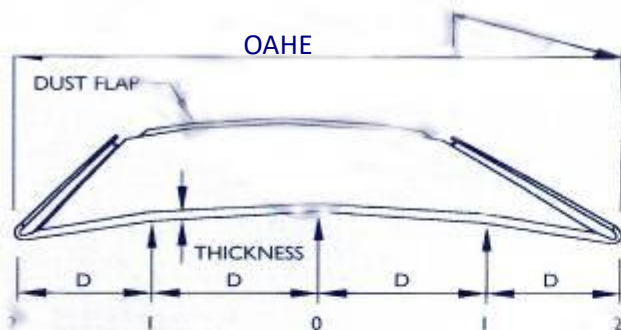
Weight
Only 10kg/m ²

ACCESSORIES

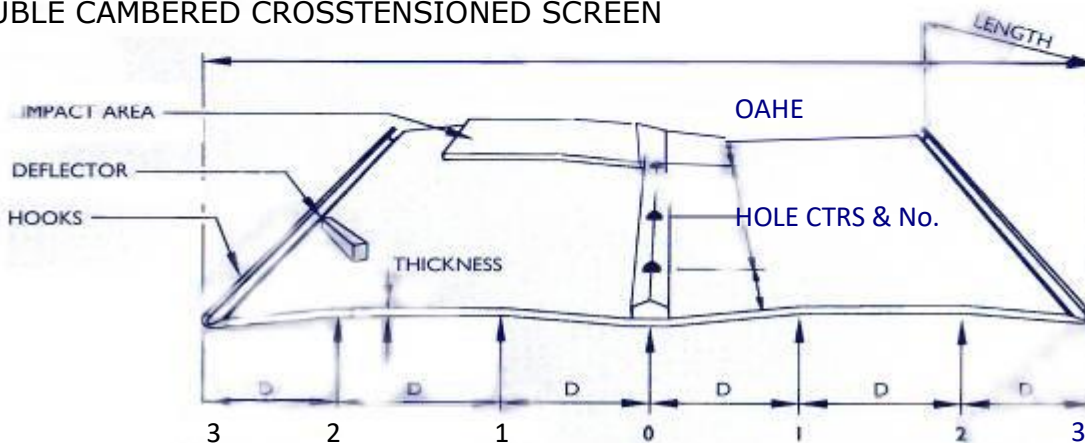


Webforge Locker Guidelines to measure up a Polyurethane Screencloth

SINGLE CAMBERED CROSSTENSIONED SCREEN CLOTH



DOUBLE CAMBERED CROSSTENSIONED SCREEN



Local Elements

Slot Aperture	Open Area %	Slot Aperture	% of open area
0.15 x 5.65	7.0	1.00 x 11.25	17.0
0.20 x 11.50	6.0	1.00 x 11.50	21.0
0.30 x 11.50	7.6	1.00 x 115 ELS	23.75
0.40 x 11.50	8.0	1.25 x 11.50	24.1
0.50 x 11.50	10.2	1.3 x 17.0	29.5
0.50 x 16.00 H/D	8.0	1.60 x 11.50	27.8
0.50 x 17.00	15.0	1.80 x 17.25	33.7
0.50 x 17.00 TT	15.0	2.00 x 11.5	28.2
0.50 x 115 ELS	16.6	2.00 x 25.50	19.8
0.63 x 11.50	13.8	2.50 x 25.50	35.5
0.63 x 11.50 S/L	16.9	25.0 x 25.50	24.8
0.63 x 17.00	19.0	3.00 x 18.00	22.5
0.80 x 11.50	15.0	3.15 x 25.50	40.0
0.80 x 11.50 H/D	11.25	4.00 x 8.00	31.0
0.80 x 11.50 S/L	15.0	4.00 x 25.50	44.2
0.80 x 17.50	21.0	5.00 x 25.50	47.0
0.80 x 115 ELS	24.2	6.80 x 25.50	48.0
0.80 x 17.50 S/L	21.0	7.10 x 50.00	39.4
0.80 x 17.50 TT	21.0	10.00 x 50.00	44.4

H/D – Heavy Duty
S & S – Soft & Split
MHD- Medium Heavy Duty
S/L – Slimline
FD – Full Depth
STD - Standard
ELS- Extra Long Slot
TT- Trough Type

Square Aperture	% of Open Area
0.8	13.9
2.5 H/D	14.0
3.15	27.5
4.0	34.6
4.0 H/D	16.0
4.5	31.0
4.5 H/D	31.0
5.0	38.3
6.3	43.1
7.10	38.1
7.1 MHD	27.0
7.1 H/D	22.4
8.0 H/D	28.0
8.0 S/S	36.0
9.0	41.3
10.0	44.4
10.0 S&S	45.5
11.2	33.4
12.5	41.1
13.5 (14.0)	45.6
15.0	40.7
16.0	28.4
18.0	36.0
22.4	55.7