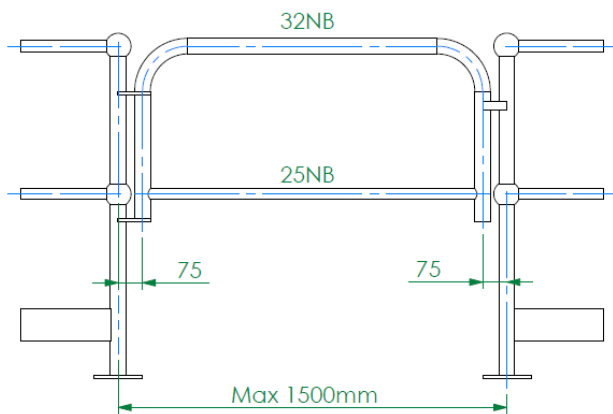


## Handrail - Self Closing Gates

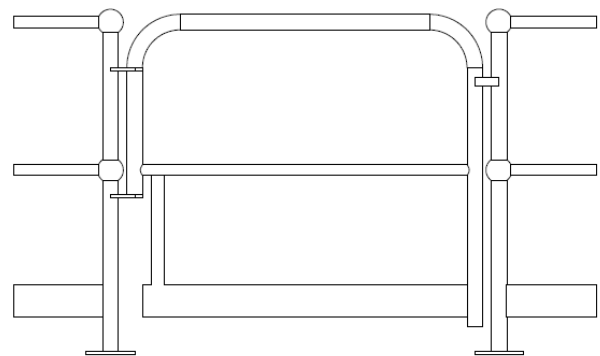
Locker Group manufactures self closing gates to compliment the range of tubular handrail stanchions and rails. Use the following guidelines to assist in ordering self closing gates.

### Gate Types:

- HGATE single gate no kickplate
- HGATEKP single gate with kickplate
- HGATED double gate (up to 3000mm stanchion centre)



**HGATE**



**HGATEKP**

### Ordering checklist:

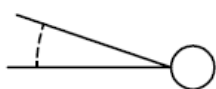
When ordering a self closing gate the following information is required:

Gate Type: (above)  eg HGATE

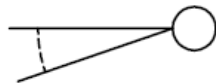
Swing Direction: (below)  SE swing

Stanchion Type:  Type P at 1200mm (stanchion centres)

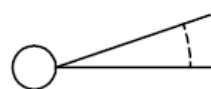
Plan View of gate (in situ) showing rail direction



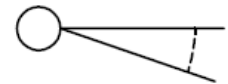
*NW swing*



*SW swing*



*NE swing*



*SE swing*