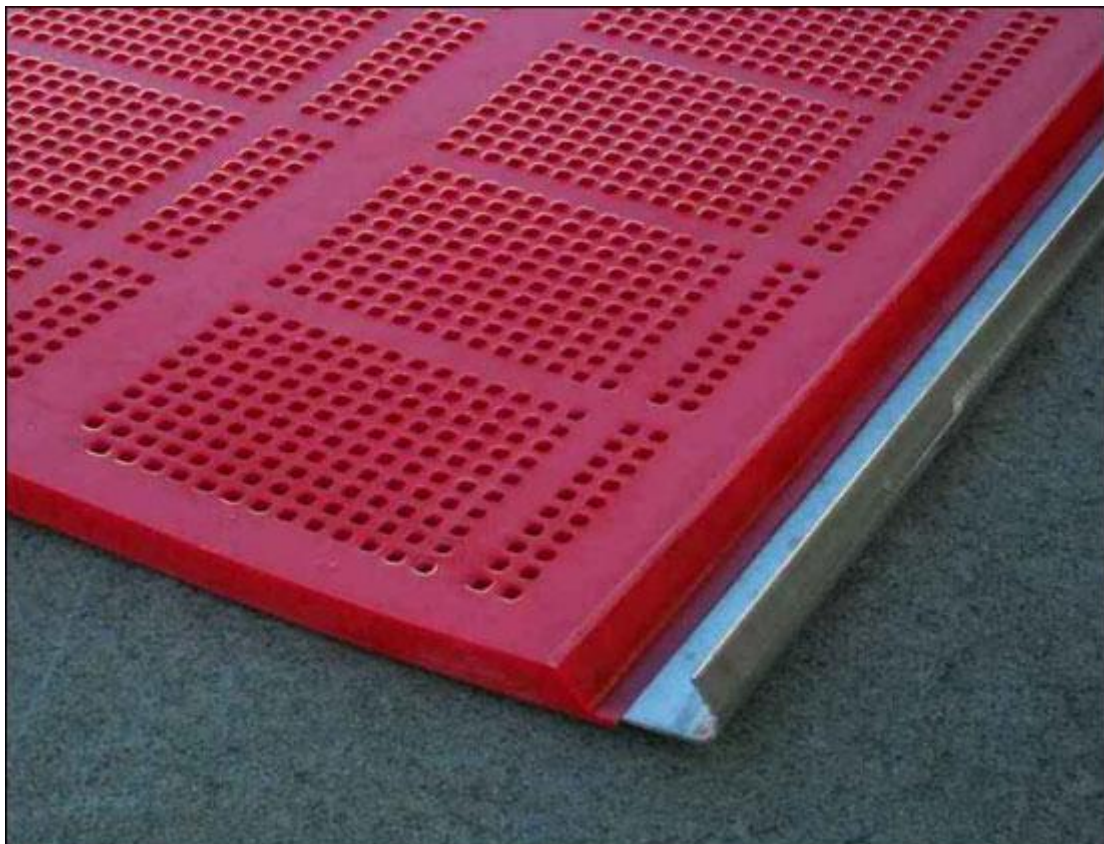


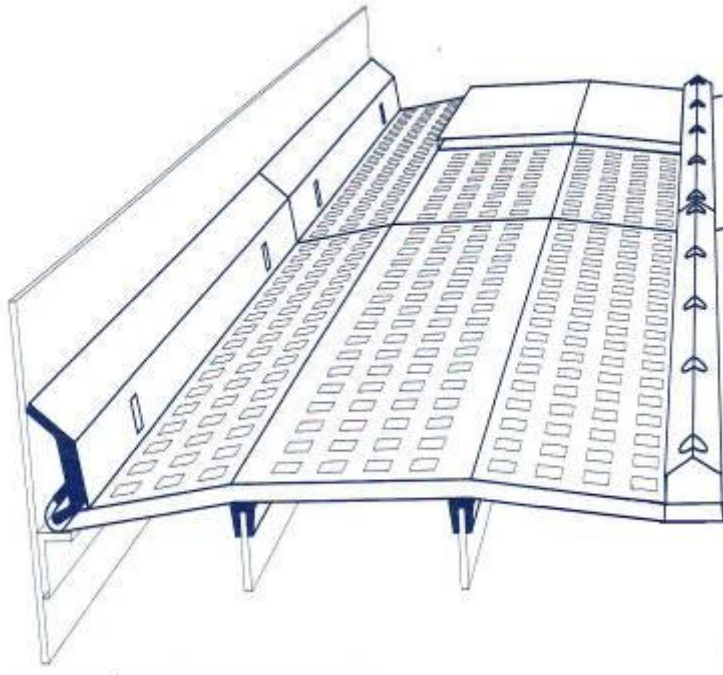
## Polyurethane Cross Tensioned Screencloth

At Locker Group we will design and manufacture to suit your requirements. Our Polyurethane Cross Tensioned Screencloths are produced in several types to suit most applications.

- Fully Cast
- Injection Moulded Element
- Slimline Injection Moulded Element



**FULLY CAST**



The following table will outline the features of the *Fully Cast* screenshot as well as specifying the relevant technical information.

**Features**

- Apertures**
- Slotted
  - Square

**Thickness**  
20mm, 25mm

- Custom Design**
- Weirs
  - Impact Areas
  - Rider Bars
  - Deflectors
  - Aperture change in the same cloth

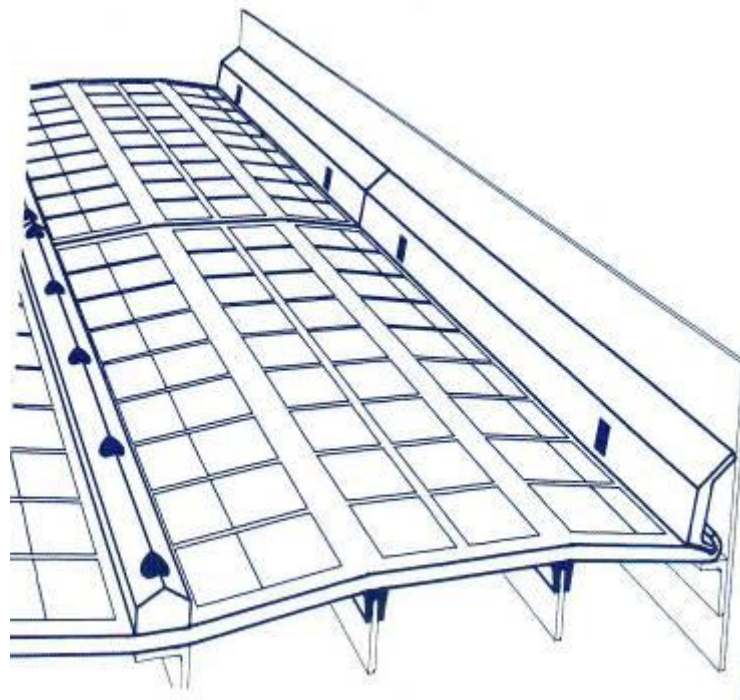
- Hooks**
- Stainless steel

**Reinforcing**

**Custom Design**  
Light weight  
Medium weight  
Heavy Duty

**Cost Effective**  
Dollars/Tonnes

**INJECTION MOULDED ELEMENT**



The following table will outline the features of the *Injection Moulded Element* screencloth as well as specifying the relevant technical information.

**Features**

**Accurate Screening & Sizing**

**Injected Moulded Type Apertures**

Slotted Apertures available

**Thickness**

20mm, 25mm

**Different Aperture Sizes Available:**

- Tear drop
- Extra long slot
- Split
- Round & Vibra Flex
- Apertures

**Custom Design**

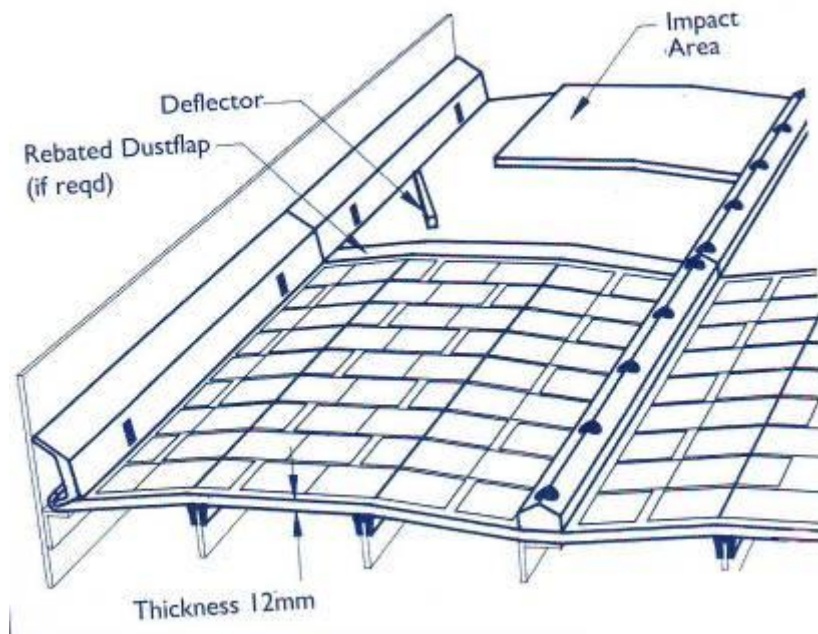
- Aperture change in the same cloth
- Deflectors
- Weirs
- Impact areas
- Rider bars
- Staggered apertures to prevent tracking

**Reinforcing**

**Durability in Service**

- Proven product

**SLIMLINE INJECTION MOULDED ELEMENT**



The following table will outline the features of the *Slimline injection moulded element* screencloth as well as specifying the relevant technical information.

**Features**

- High Open Area**
- Conventional Layout
  - Brick Pattern Layout
  - High Throughput

**Flexibility**

**Thickness**  
12mm thick

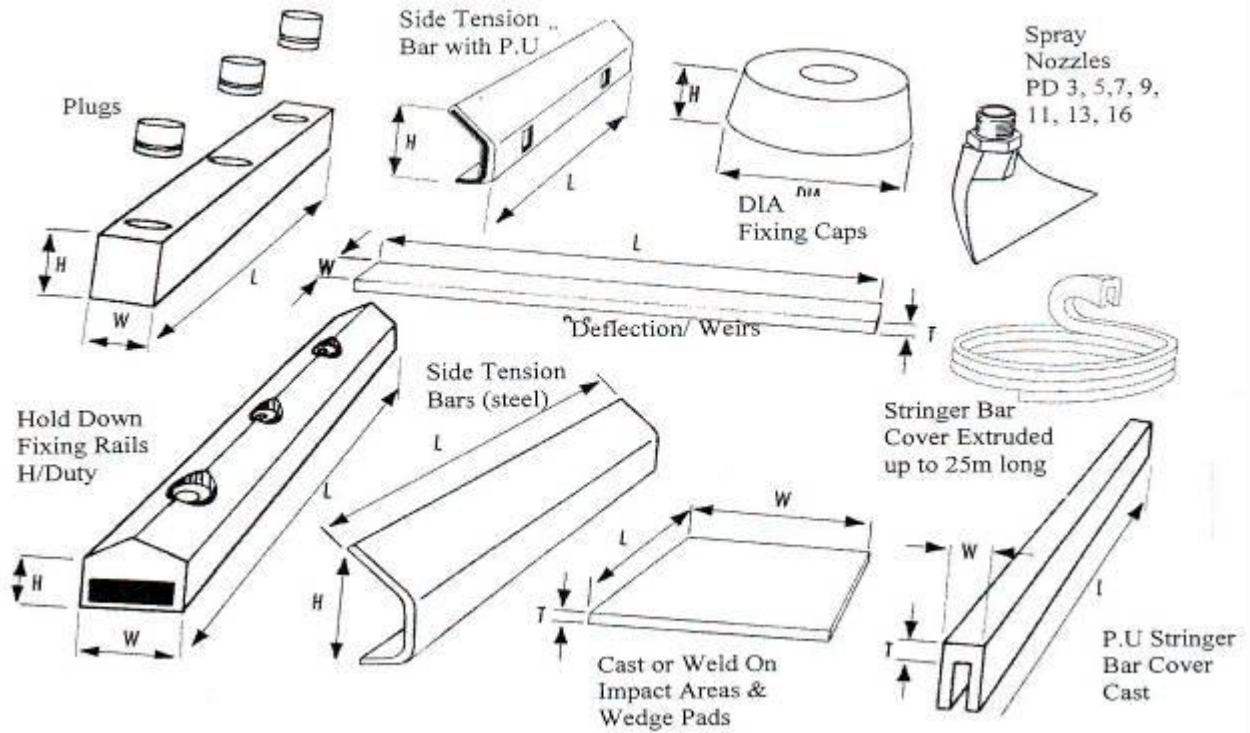
- Hooks**
- Stainless steel

**Reinforcing**

- Specific Slimline Slotted Apertures**
- 0.63 x 11.5 S/L
  - 0.80 x 11.5 S/L
  - 0.80 x 17.5 S/L
  - 1.0 x 11.5 S/L
  - 1.8 x 17.25 S/L

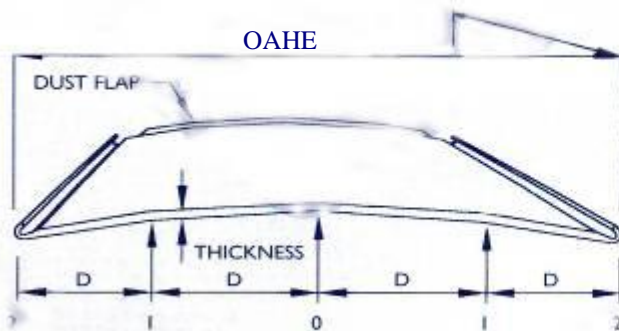
**Weight**  
Only 10kg/m<sup>2</sup>

**ACCESSORIES**

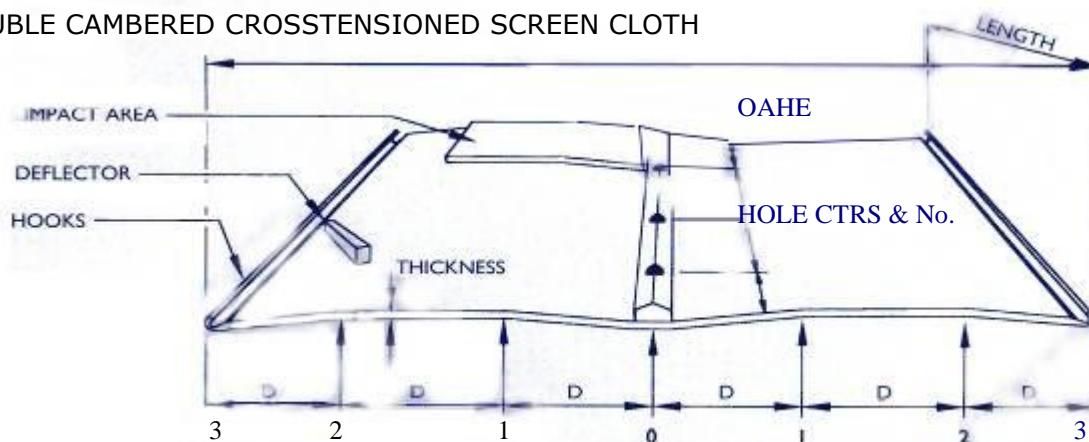


**Locker Group Guidelines to measure up a Polyurethane Screencloth**

**SINGLE CAMBERED CROSSTENSIONED SCREEN CLOTH**



**DOUBLE CAMBERED CROSSTENSIONED SCREEN CLOTH**



**Local Elements**

Slot Aperture	% of Open Area	Slot Aperture	% of open area
0.15 x 5.65	7.0	1.00 x 11.25	17.0
0.20 x 11.50	6.0	1.00 x 11.50 S/L	21.0
0.30 x 11.50	7.6	1.00 x 115 ELS	23.75
0.40 x 11.50	8.0	1.25 x 11.50	24.1
0.50 x 11.50	10.2	1.3 x 17.0	29.5
0.50 x 16.00 H/D	8.0	1.60 x 11.50	27.8
0.50 x 17.00	15.0	1.80 x 17.25 S/L	33.7
0.50 x 17.00 TT	15.0	2.00 x 11.5	28.2
0.50 x 115 ELS	16.6	2.00 x 25.50 H/D	19.8
0.63 x 11.50	13.8	2.50 x 25.50	35.5
0.63 x 11.50 S/L	16.9	25.0 x 25.50 H/D	24.8
0.63 x 17.00	19.0	3.00 x 18.00	22.5
0.80 x 11.50	15.0	3.15 x 25.50	40.0
0.80 x 11.50 H/D	11.25	4.00 x 8.00	31.0
0.80 x 11.50 S/L	15.0	4.00 x 25.50	44.2
0.80 x 17.50	21.0	5.00 x 25.50	47.0
0.80 x 115 ELS	24.2	6.80 x 25.50	48.0
0.80 x 17.50 S/L	21.0	7.10 x 50.00	39.4
0.80 x 17.50 TT	21.0	10.00 x 50.00	44.4

H/D – Heavy Duty
S &S – Soft & Split
MHD- Medium Heavy Duty
S/L – Slimline
FD – Full Depth
STD - Standard
ELS- Extra Long Slot
TT- Trough Type

Square Aperture	% of Open Area
0.8	13.9
2.5 H/D	14.0
3.15	27.5
4.0	34.6
4.0 H/D	16.0
4.5	31.0
4.5 H/D	31.0
5.0	38.3
6.3	43.1
7.10	38.1
7.1 MHD	27.0
7.1 H/D	22.4
8.0 H/D	28.0
8.0 S/S	36.0
9.0	41.3
10.0	44.4
10.0 S&S	45.5
11.2	33.4
12.5	41.1
13.5 (14.0)	45.6
15.0	40.7
16.0	28.4
18.0	36.0
22.4	55.7